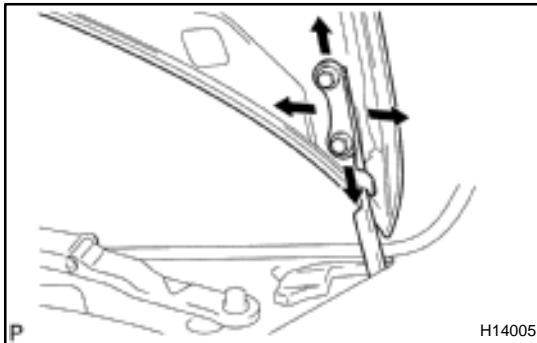


## HOOD ADJUSTMENT

BO2NE-03

### HINT:

Since the centering bolt is used as the hood hinge and lock set bolt, the hood cannot be adjusted with it. Substitute the standard bolt for the centering bolt.



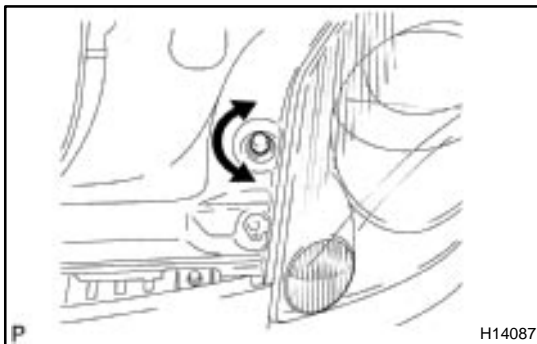
### 1. ADJUST HOOD IN FORWARD/REARWARD AND LEFT/LIGHT DIRECTIONS

- (a) Adjust the hood by loosening the hood side hinge bolts.
- (b) Tighten the loosened bolts again.

#### Torque:

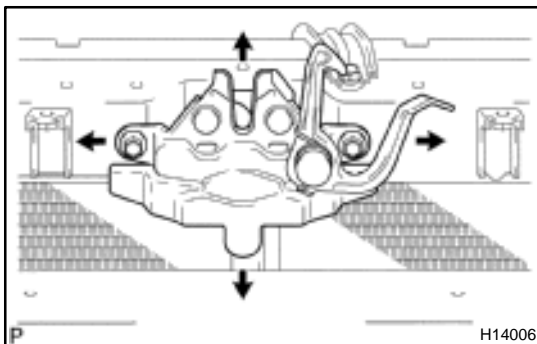
**Centering bolt: 13 N·m (130 kgf·cm, 9 ft·lbf)**

**Standard bolt: 12 N·m (120 kgf·cm, 9 ft·lbf)**



### 2. ADJUST FRONT EDGE OF HOOD IN VERTICAL DIRECTION

Adjust the hood by turning the cushions.



### 3. ADJUST HOOD LOCK

- (a) Remove the front bumper (See page [BO-4](#)).
- (b) Adjust the hood lock by loosening the bolts.
- (c) Tighten the loosened bolts again.

#### Torque:

**Centering bolt: 8.0 N·m (80 kgf·cm, 70 in.-lbf)**

**Standard bolt: 7.0 N·m (70 kgf·cm, 60 in.-lbf)**

- (d) Reinstall the removed parts.